

LOGSET 12H GTE Hybrid

THE MOST PRODUCTIVE HARVESTER IN THE WORLD WITH HYBRID TECHNOLOGY

Logset12H GTE Hybrid – the most productive harvester in the world is a real giant for profitable large-scale harvesting. This friendly giant has it all: revolutionary hybrid technology, double circuit hydraulics, strong crane, robust transmission and much more. Stability, reliability and comfort in one big package, to put it shortly.

WHY HYBRID TECHNOLOGY?

POWER

The electrical motor is fast and powerful. Within a microsecond, the hybrid system can deliver up to 510 hp and generate an enormous torque of 2 000 Nm. The hybrid system reacts instantaneously to the work load, providing an extra power boost for the crane. The heavy-duty horse power guarantees the machine will manage even the hardest tasks.

ECONOMY

The hybrid system has double benefits: increased performance and extremely low running costs. It would require a huge engine and barrels of fuel to generate the same massive power and torque the hybrid system delivers in a flash. The fuel consumption is significantly lower compared to a traditional power train solution.

The hybrid system eliminates the power peaks normally required from the engine. The stable engine performance saves significant amounts of fuel, prolongs the lifespan of the engine and lowers maintenance costs.

ECOLOGY

The hybrid system uses electricity to generate power. Electrical energy is known to be green and environmentally friendly. The lower fuel consumption and stable engine performance also mean less exhaust gases to the environment. Logset hybrid harvester meets all modern environmental standards, without compromising profits or power.

Logset's hybrid system takes your logging to a new level.

LOGSET

Logset Oy
Hännisentie 2
FI-66530 Koivulahti
FINLAND
Tel. +358 10 286 3200

LOGSET
SIMPLY BETTER
www.logset.com

SIMPLY BETTER

LOGSET

LOGSET GTE Harvester



12H GTE HYBRID

Harvester range 12/17 - EN
We reserve the right to make changes without prior notice.
All technical specifications are for guidance only.
The pictures and diagrams do not always show standard versions of the machines.
Copyright Logset Oy.



Key features of the Logset 12H GTE Hybrid

HYBRID SYSTEM

The electrical motor offers an astonishing power and torque boost to the **AGCO Power 7.4 l engine**. Prompt reaction to changing load improves machine performance. The hybrid system delivers up to 510 hp and 2000 Nm at normal working revs. It offers the instant power and fuel economy you've always dreamed of.

CABIN

The cabin has **excellent all-round visibility**. The upgraded work light guard protects the work lights and cabin roof even better. The new design decreases the transportation height and gives the cabin an eye-pleasing, round profile. The cabin's low noise level is a key factor for operator comfort.

LOGSET TOC-MD 2

Logset's own control system, the Total Operation and Control Measuring Device 2 (TOC-MD 2) for the harvester head maximizes the production and is easy to navigate and to use. The technology is thoroughly proven through the years. Features like the adaptive feed optimization make the operator's life easier and the machine more productive.

CRANE

The heavy-duty Mesera 285H parallel crane has an optimal boom geometry for clear felling and very heavy timber. The low column construction and the narrow boom guarantee good visibility from the cabin to the working area.



FUEL AND HYDRAULIC TANKS

The bigger fuel tank means less down time for fuel filling and **more productive time** in the forest. The total volume of the fuel tanks is 500 litres. Also the hydraulic oil tanks have been upgraded to a bigger size. The tanks can be tilted to the side when service access to the hydraulic pumps is needed.

TRANSMISSION

The transmission is controlled and optimized by the TOC 2 control system. The combination of reliable NAF-bogies, both in the front and back, and a powerful frame lock system which uses large hydraulic cylinders ensure the perfect stability of the harvester. Hydraulically balanced front bogies are available as optional equipment.

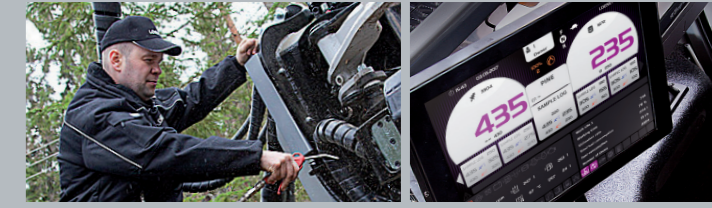
HYDRAULICS

The Logset 12H GTE Hybrid has two 210 cc work pumps. The double circuit hydraulics guarantees sufficient hydraulic oil flow for processing heavy and difficult timber, even when the crane is used during feeding.

HARVESTER HEAD

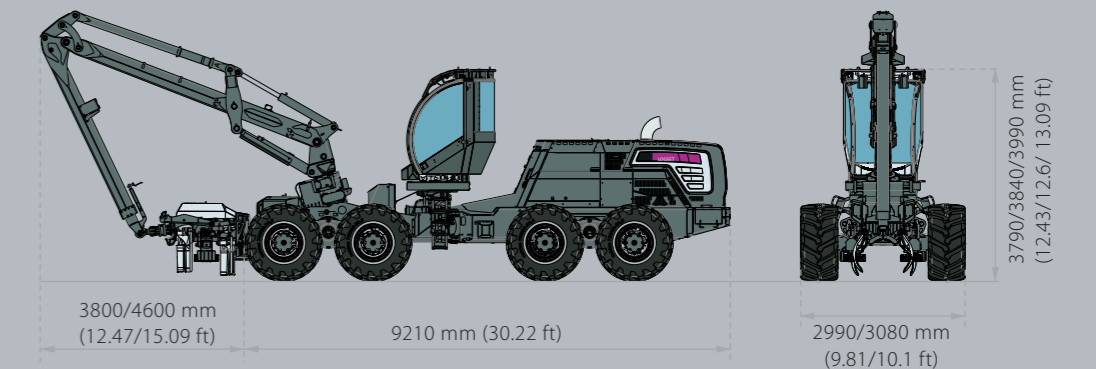
The full range of harvester heads allows you to select a head that meets your needs. The most suitable sizes for the Logset 12H GTE hybrid are the heads TH75 and TH85. The Logset TH harvester head is the key to higher production.

Technical data



MODEL	12H GTE Hybrid
DIMENSIONS	
Own weight, kg from	24 500 (54 000 lbs)
HYBRID SYSTEM, ENGINE + ELECTRICAL MOTOR	
Max. power at 2000 rpm, kW	380 (510 hp)
Max. torque at 1500 rpm, Nm	2 000 (1475 ft lb)
ENGINE	
Type	AGCO Power 74 AWF
Stage	EU Stage IV / EPA Tier 4 final
Power at 1900 rpm, kW	220 (300 hp)
Torque at 1500 rpm, Nm	1 200 (885 ft lb)
Fuel tank, l	500 (132 US gal)
DEF, l	40 (11 US gal)
ELECTRIC MOTOR	
Max. power at 2100 rpm, kW	175 (240 hp)
Max. torque 0-2100 rpm, Nm	800 (590 ft lb)
TRANSMISSION	
Type	hydrostatic mechanical
Tractive effort, kN	230 (51 700 lbf)
Gear box	2 gears
HYDRAULIC SYSTEM	
Flow 1000 rpm, l/min	210+210 (55+55 US gal)
Hydraulic oil tank, l	400 (106 US gal)
CABIN	
Control system	TOC 2
Measuring device	TOC-MD 2
Battery voltage	24 V
Safety tested and approved cabin • Rotating and levelling cabin (in option)	
TYRES	
Front	780/50-28.5
Rear	780/50-28.5
CRANE OPTIONS	
Crane	Mesera 285H
Lifting capacity, kNm	280 (206 520 ft lb)
Reach options, m	9.7 (32 ft)
HARVESTER HEADS	
Model options	TH75, TH85
OPTIONAL EQUIPMENTS	Contact your local dealer for more information about options

LOGSET 12H GTE Hybrid



SIMPLY BETTER

LOGSET