

LOGSET 6F GT

AGILE 14-TON FORWARDER FOR DEMANDING TERRAIN AND LIFTING

The Logset 6F GT is a cost-efficient machine for carrying logs from the forest. It has a loading capacity of 14 tons and its load bay length is adjustable between 4.4 meters and 5 meters. The forwarder has a 7.4 l AGCO Power engine and the machine maintains an impressive driving speed also in demanding conditions. It is reliable and it does not require a lot of spare parts. The Logset 6F GT has a high capacity and exceptionally low running costs.

RELIABILITY

Logset 6F GT is, like other Logset products, designed for hard work. The main mechanical parts have been reinforced to achieve long lifespan and to endure challenging conditions. The frames, center joint, bogie attachments, load bay and a solid hood have all been designed for rough forest conditions. The main components have been selected for the best possible reliability.

ECONOMY

The successful combination of the Logset TOC 2 control system and the AGCO Power diesel engine makes Logset probably the most fuel-efficient forwarder manufacturer. High-resistance parts, exceptional reliability and minimized downtime all contribute to low running costs.

COMFORT

The operator's comfort is crucial for maximizing productivity. The spacious cabin offers excellent visibility and a low noise level. A lot of thought has been given to the location of the main components. The parts are easily accessible, making service easy when it is required.

LOGSET

Logset Oy
Hännisentie 2
FI-66530 Koivulahti
FINLAND
Tel. +358 10 286 3200

LOGSET
SIMPLY BETTER
www.logset.com

SIMPLY BETTER

LOGSET

LOGSET GT Forwarder



6F GT

Forwarder range 12/17 - EN
We reserve the right to make changes without prior notice.
All technical specifications are for guidance only.
The pictures and diagrams do not always show standard versions of the machines.
Copyright Logset Oy.



Eight advantages with the Logset forwarder

ENGINE

The diesel engine in the Logset forwarder range has the best combination of excellent fuel economy and outstanding power. The engine has the latest SCR technology, so it is environmentally friendly.

CABIN

The cabin offers first-class comfort and an unobstructed view when driving and loading. It is spacious and has large storage compartments. The forwarder is easy to maneuver because all wheels are in sight.



TOTAL OPERATION AND CONTROL SYSTEM 2 (TOC 2)

The forwarder is equipped with the user-friendly TOC 2 machine control system. Thanks to the control system, the operator saves fuel while the driving experience is soft and smooth. The crane control is fast and accurate. If the machine has several operators, they can save their personalized settings for the crane.

CRANE

A great advantage of the Mesera crane is its boom geometry. The crane is especially designed for forwarders, and loading and unloading is comfortable and easy. Different crane models can be chosen for the Logset 6F GT, such as the Mesera 91 (125 kNm) or 92 (130 kNm) with reaches from 7.2 m up to 10 m. The cranes are available with integrated hoses.

FUEL AND HYDRAULIC TANKS

Thanks to the 200-liter fuel tank capacity, the operator can extend his work shift without refueling. The correct dimensioning of the oil tank in each machine model ensures a longer lifespan of the hydraulic components.

BOGIES

The machine is available with or without balancing on the NAF bogies, depending on the needs.

TRACTIVE EFFORT

The hydrostatic transmission gives the best performance even in the most difficult terrain. It is powerful, accurate and reliable.

LOAD BAY

The strong, adjustable and durable load bay carries more wood than ever before. The Logset 6F GT has an adjustable load bay length ranging from 4.40 meters to 5 meters.

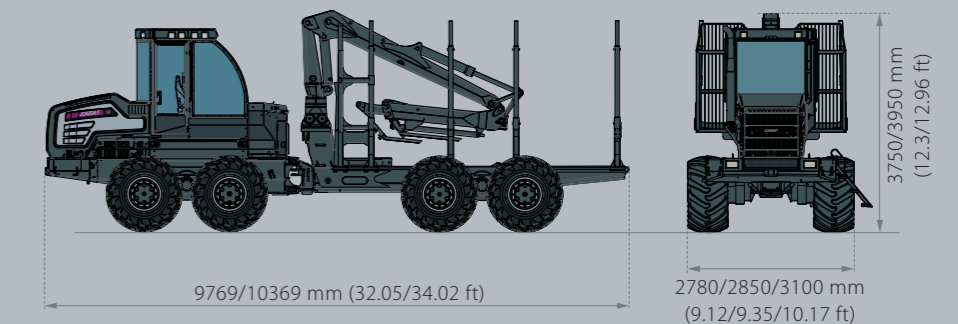
Technical data



MODEL	6F GT
DIMENSIONS	
Own weight from, kg	17 000 (37 500 lbs)
Load capacity, kg	14 000 (30 900 lbs)
Load area length, m	4.4/5 (173.23/196.85 in)
ENGINE	
Type	AGCO Power 74 AWF
Stage	EU Stage IV / EPA Tier 4 final
Power at 1900 rpm, kW	170 (230 hp)
Torque at 1500 rpm, Nm	950 (701 ft lb)
Fuel tank, l	205 (54 US gal)
DEF tank, l	27 (7 US gal)
TRANSMISSION	
Type	Hydrostatic mechanical
Tractive effort, kN	190 (43 000 lbf)
Gear box	2 gears
HYDRAULIC SYSTEM	
Pump size, cm ³	140
Pressure, Mpa	21.5 (3 118 psi)
Oil tank, l	175 (46 US gal)
CABIN	
Control system: TOC 2 • Battery Voltage: 24V • Safety tested and approved cabin	
WHEELS	
Tyres	710/45-26.5
CRANE OPTIONS	
Crane	Mesera 91, Mesera 92
Lifting capacity, kNm	125/130 (92 200 ft lb/95 880 ft-lb)
Reach options, m	7.2/8.5/10 (23/27/32 ft)
Rotator, °	360
OPTIONAL EQUIPMENT	

Bulldozer blade • Diesel heater • Crane tilt • Contact your local dealer for more information about other options

LOGSET 6F GT



SIMPLY BETTER

LOGSET