

LOGSET Harvester Head



Light weight and narrow, designed for thinning operations

The Logset TH45 is built to achieve optimum results in thinning operations.

Logset TH45 is compact and lightweight, enabling smooth and quick operation even in dense forests.

The head is designed for processing small to medium-sized trees.

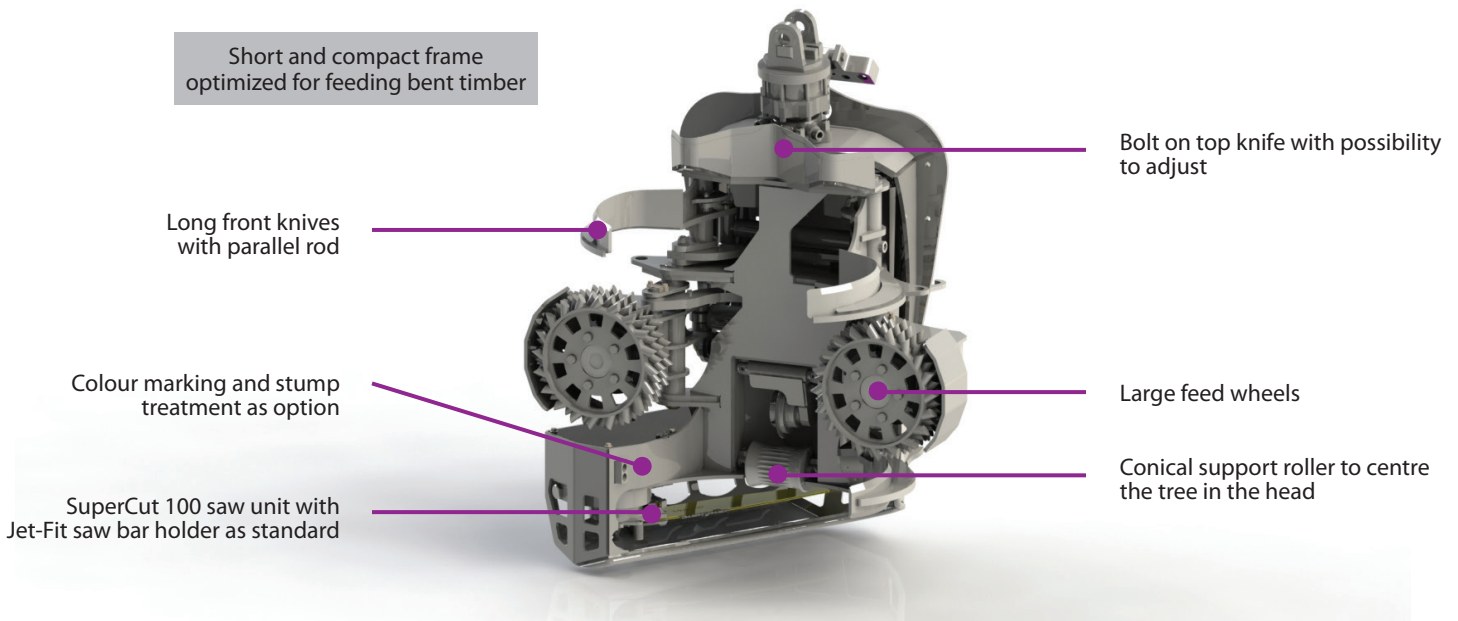
It is equipped with two hydraulic feeding wheels and a support wheel to reduce friction and improve feeding. The hydraulics has been optimized to work also with smaller harvesters. A flow divider divides pressure and flow equally

to each feeding motor, ensuring smooth feeding and delimiting even in rough conditions. The hose routing is well organized and well protected. The measuring wheel is controlled with a hydraulic cylinder, which is adjustable for ideal pressure in all conditions.

SIMPLY BETTER

LOGSET

LOGSET Harvester Head TH45

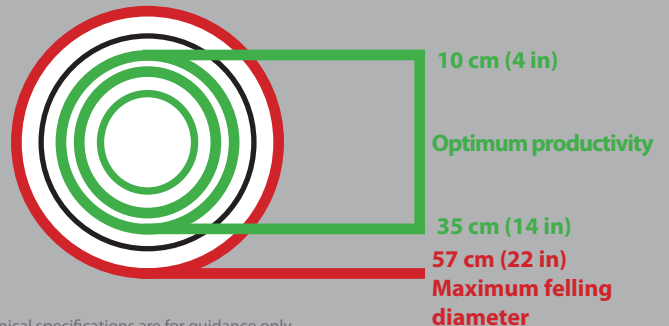


Technical data

| DIMENSIONS | | |
|---|-----------------------------|----------------------|
| Width, head open | mm | 1250 (49 in) |
| Width, head closed | mm | 1100 (43 in) |
| Height to top knife | mm | 1150 (45 in) |
| Height with rotator and link | mm | 1700 (67 in) |
| Weight with rotator and link | kg | 850 (1 870 lbs) |
| FELLING/CUTTING | | |
| Max. felling/cutting diameter | mm | 550 (22 in) |
| Saw bar | mm | 670 (26 in) |
| Saw unit | SuperCut 100 | |
| Saw motor | Parker F11-19, Bucher 20/25 | |
| Saw chain tensioning | Hydraulic | |
| Chain oil tank volume | liter | 8 (2 gal) |
| HYDRAULIC SYSTEM | | |
| Max. pressure | bar | 280 (4 061 psi) |
| Flow required for optimal prod. | l/min | 240 (63 gal/min) |
| Valve block: purpose built hydraulic manifold | | |
| FEEDING | | |
| Hydraulic motors, feeding arms | cm ³ | 400/500 |
| Number of hydraulic motors | pcs | 2 |
| Feeding speed (240l/min, 63 gal/min) | m/s | 6,0/4,7 (20/15 ft/s) |
| Max. opening, feed wheels | mm | 450 (18 in) |

| DELIMBING | | |
|--|---------------------------------|-------------|
| Max. opening, upper knives | mm | 560 (22 in) |
| Delimiting diameter tip to tip | mm | 400 (16 in) |
| Number of static knives | pcs | 1 |
| Number of movable knives | pcs | 3 |
| ROTATOR | | |
| Indexator AV 12-17/H122-182, Black Bruin BBR 15-16 | | |
| MEASURING DEVICE | | |
| Logset TOC-MD 2 | | |
| RECOMMENDED BASE MACHINE SIZE | | |
| Wheeled base, from | 14-20 t. (31 000-44 000 lbs) | |
| Tracked base, from | 15-21 t. (33 000-46 000 lbs) | |
| OPTIONAL EQUIPMENT | | |

Contact your local dealer for more information about options.



Harvester heads range 12/17 - EN. We reserve the right to make changes without prior notice. All technical specifications are for guidance only. The pictures and diagrams do not always show standard versions of the heads. Copyright Logset Oy.

LOGSET Oy
 Hännisentie 2
 FI-66530 Koivulahti
 FINLAND
 Tel. +358 10 286 3200

LOGSET
 SIMPLY BETTER
www.logset.com