

LOGSET Harvester Head



TH45

Light weight and narrow, designed for thinning operations

The Logset TH45 is built to achieve optimum results in thinning operations.

Logset TH45 is compact and lightweight, enabling smooth and quick operation even in dense forests.

The head is designed for processing small to medium-sized trees.

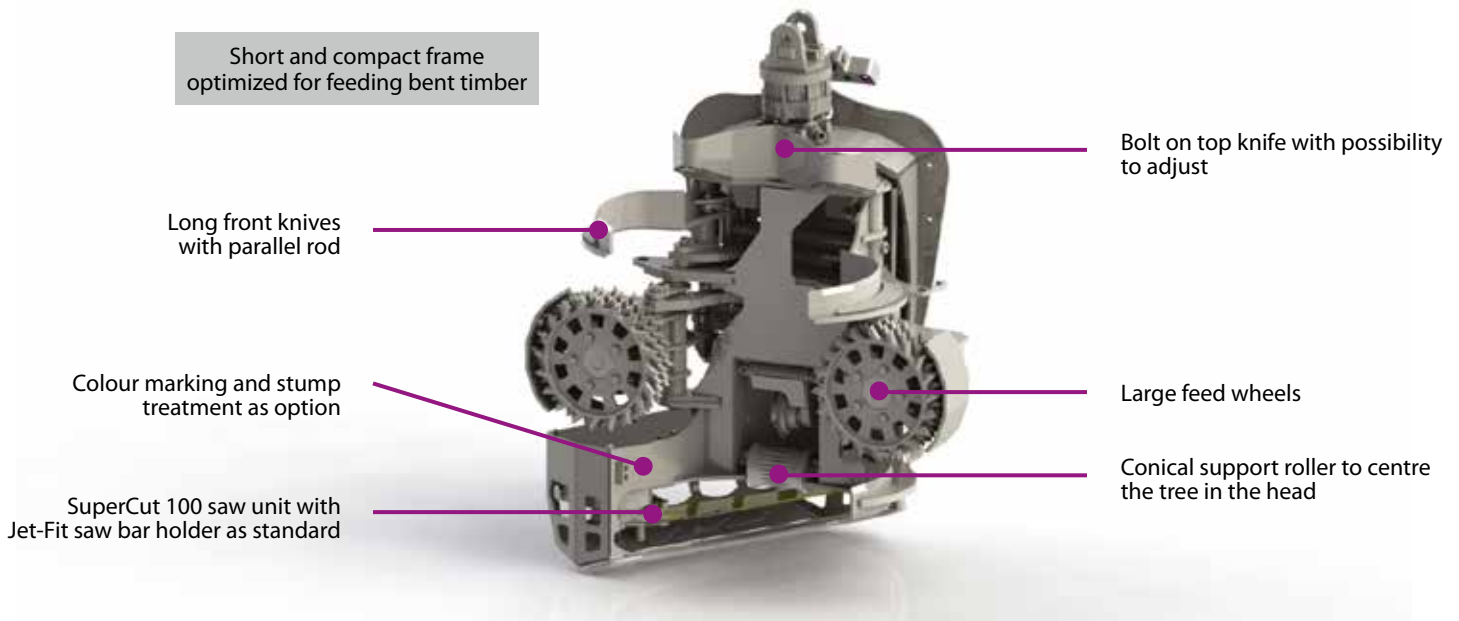
It is equipped with two hydraulic feeding wheels and a support wheel to reduce friction and improve feeding. The hydraulics has been optimized to work also with smaller harvesters. A flow divider divides pressure and flow equally

to each feeding motor, ensuring smooth feeding and delimiting even in rough conditions. The hose routing is well organized and well protected. The measuring wheel is controlled with a hydraulic cylinder, which is adjustable for ideal pressure in all conditions.

SIMPLY BETTER

LOGSET

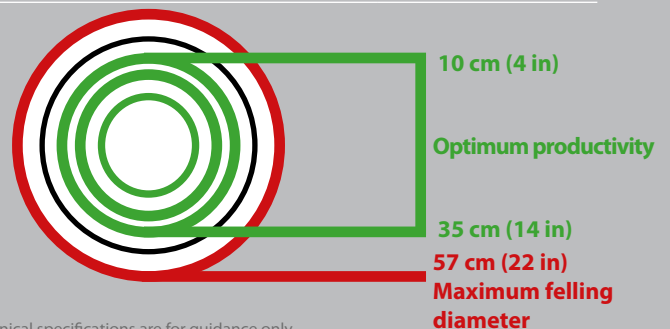
LOGSET Harvester Head TH45



Technical data

DIMENSIONS		
Width, head open	mm	1250 (49 in)
Width, head closed	mm	1100 (43 in)
Height to top knife	mm	1150 (45 in)
Height with rotator and link	mm	1700 (67 in)
Weight with rotator and link	kg	850 (1 870 lbs)
FELLING/CUTTING		
Max. felling/cutting diameter	mm	550 (22 in)
Saw bar	mm	670 (26 in)
Saw unit	SuperCut 100	
Saw motor	Parker F11-19, Bucher 20/25	
Saw chain tensioning	Hydraulic	
Chain oil tank volume	liter	8 (2 gal)
HYDRAULIC SYSTEM		
Max. pressure	bar	280 (4 061 psi)
Flow required for optimal prod.	l/min	240 (63 gal/min)
Valve block: purpose built hydraulic manifold		
FEEDING		
Hydraulic motors, feeding arms	cm ³	400/500
Number of hydraulic motors	pcs	2
Feeding speed (240l/min, 63 gal/min)	m/s	6,0/4,7 (20/15 ft/s)
Max. opening, feed wheels	mm	450 (18 in)

DELIMBING		
Max. opening, upper knives	mm	560 (22 in)
Delimiting diameter tip to tip	mm	400 (16 in)
Number of static knives	pcs	1
Number of movable knives	pcs	3
ROTATOR		
Indexator AV 12-17/H122-182, Black Bruin BBR 15-16		
MEASURING DEVICE		
Logset TOC-MD 2		
RECOMMENDED BASE MACHINE SIZE		
Wheeled base, from	14-20 t. (31 000-44 000 lbs)	
Tracked base, from	15-21 t. (33 000-46 000 lbs)	
OPTIONAL EQUIPMENT		
Contact your local dealer for more information about options.		



Harvester heads range 12/17 - EN. We reserve the right to make changes without prior notice. All technical specifications are for guidance only. The pictures and diagrams do not always show standard versions of the heads. Copyright Logset Oy.

LOGSET Oy
 Hännisentie 2
 FI-66530 Koivulahti
 FINLAND
 Tel. +358 10 286 3200

LOGSET
 SIMPLY BETTER
www.logset.com